



LED Downlight Slim EcoMax

Features

- Very flat design, only 34mm height
- Efficacy up to 85 lm/W
- Available both in round and square version
- Two lumen packages
- Including 30cm connection wire

Benefits

- Integrated driver: connect and go!
- Fits into most ceiling types and wide application area
- Low energy and maintenance costs

Application



Specifications

Item Code	Item Description	Power (W)	Lumen	Efficacy (lm/W)	Input Current	CCT (K)	Lifespan (L70B50)	Lifespan (L80B50)	EAN1
140056560	LEDDownlightRc-SI-E Rd200-24W-4000-WH	24	2040	85	0.12 A	4000	40,000 h	20,000 h	6956321885755

Available on request with 3- pole Wieland GST18i connector

Accessories

Item Code	Item Description	EAN1	Weight (pc/kg)
140060648	LEDDownlightRc-P-SI-E-Adapter-200-250	6956321894146	0.18
140060647	LEDDownlightRc-P-SI-E-Adapter-200-225	6956321894139	0.11

Adapter rings



Packaging Information

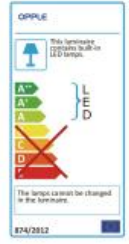
Item		Box				
Item Code	Item Description	Dimensions (mm) (ØxH)	Dimensions (mm) (LxWxH)	Gross Weight (kg)	EAN	pc/box
140056560	LEDDownlightRc-SI-E Rd200-24W-4000-WH	213x31	248x248x55	0.60	6956321885755	1
140056560	LEDDownlightRc-SI-E Rd200-24W-4000-WH	213x31	591x273x271	6.69	6956321886585	10
140060647	LEDDownlightRc-P-SI-E-Adapter-200-225	250x0.8	301x301x5	0.12	6956321894139	1
140060647	LEDDownlightRc-P-SI-E-Adapter-200-225	250x0.8	311x311x119	1.38	6956321894337	6
140060648	LEDDownlightRc-P-SI-E-Adapter-200-250	275x0.8	326x326x5	0.19	6956321894146	1
140060648	LEDDownlightRc-P-SI-E-Adapter-200-250	275x0.8	336x336x119	1.38	6956321894344	6

Technical Specifications	
On-/Off-cycles	100,000
Colour consistency (SDCM)	3
Dimmable	No
Beam angle	112 °
Finishing	White RAL9003
Colour rendering index CRI	≥ 80
Degree of protection (IP)	IP44
IP recessed part	IP20
Impact strength	IK02
Protection class	II
Control gear included	Yes
Glow wire test	650 °C
Driver failure rate (at 5,000 hrs)	1 %
Weight (pc/kg)	0.41
Power factor	≥ 0.9

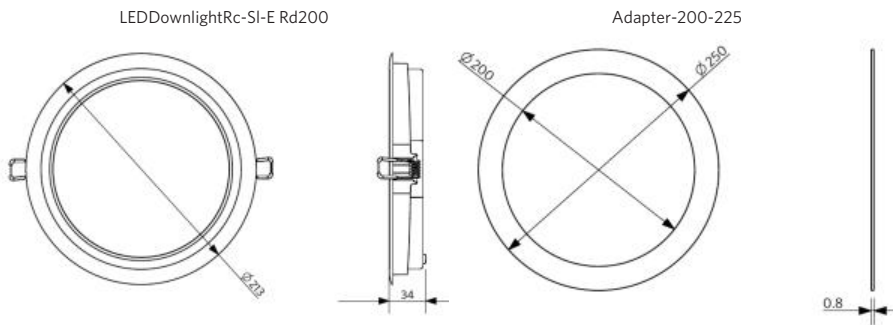
Electrical Supply	
Frequency	50/60 Hz
Nominal voltage	220-240 V
Voltage type	AC

Mechanical Properties	
Material housing	Plastic
Optical material	Polycarbonate

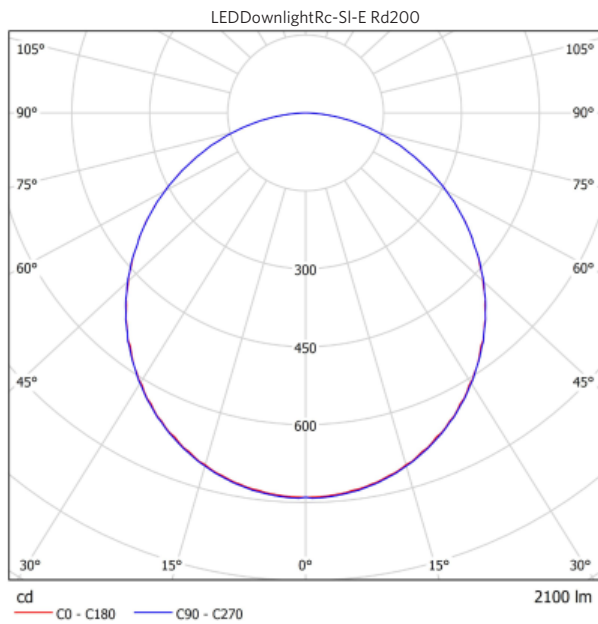
Ambient Conditions	
Operating temperature	-10 - 40 °C
Application temperature	25 °C
Storage environment	-25 - 50 °C



Dimensional Drawing (mm)



Photometric Data



Installation Opening Drawing (mm)

