

LED Downlight Slim EcoMax

n/a

Features

- Very flat design, only 34mm height
- Efficacy up to 85 lm/W
- Available both in round and square version
- Two lumen packages
- Including 30cm connection wire

Benefits

- Integrated driver: connect and go!
- Fits into most ceiling types and wide application area
- Low energy and maintenance costs

Application



Specifications

Item Code	Item Description	Power (W)	Lumen	Efficacy (lm/W)	Input Current	CCT (K)	Lifespan (L70B50)	Lifespan (L80B50)	EAN1
140056557	LEDDownlightRc-SI-E Rd150-12W-3000-WH	12	1020	85	0.06 A	3000	40,000 h	20,000 h	6956321885724
140056558	LEDDownlightRc-SI-E Rd150-12W-4000-WH	12	1020	85	0.06 A	4000	40,000 h	20,000 h	6956321885731
140056559	LEDDownlightRc-SI-E Rd200-24W-3000-WH	24	2040	85	0.12 A	3000	40,000 h	20,000 h	6956321885748
140056560	LEDDownlightRc-SI-E Rd200-24W-4000-WH	24	2040	85	0.12 A	4000	40,000 h	20,000 h	6956321885755
140056561	LEDDownlightRc-SI-E Sq150-12W-3000-WH	12	1020	85	0.06 A	3000	40,000 h	20,000 h	6956321885762
140056562	LEDDownlightRc-SI-E Sq150-12W-4000-WH	12	1020	85	0.06 A	4000	40,000 h	20,000 h	6956321885779
140056563	LEDDownlightRc-SI-E Sq200-24W-3000-WH	24	2040	85	0.12 A	3000	40,000 h	20,000 h	6956321885786
140056564	LEDDownlightRc-SI-E Sq200-24W-4000-WH	24	2040	85	0.12 A	4000	40,000 h	20,000 h	6956321885793

Available on request with 3- pole Wieland GST18i connector

Accessories

Item Code	Item Description	EAN1	Weight (pc/kg)
140060653	LEDDownlightRc-SI-E-Adapter-150-175	6956321894191	0.09
140060647	LEDDownlightRc-P-SI-E-Adapter-200-225	6956321894139	0.11
140060648	LEDDownlightRc-P-SI-E-Adapter-200-250	6956321894146	0.18

Adapter rings

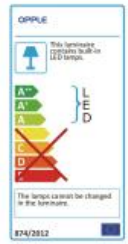


Technical Specifications	
On-/Off-cycles	100,000
Colour consistency (SDCM)	3
Dimmable	No
Beam angle	112 °
Finishing	White RAL9003
Colour rendering index CRI	≥ 80
Degree of protection (IP)	IP44
IP recessed part	IP20
Impact strength	IK02
Protection class	II
Control gear included	Yes
Glow wire test	650 °C
Driver failure rate (at 5,000 hrs)	1 %
Weight (pc/kg)	0.24 / 0.25 / 0.41 / 0.55
Power factor	≥ 0.9

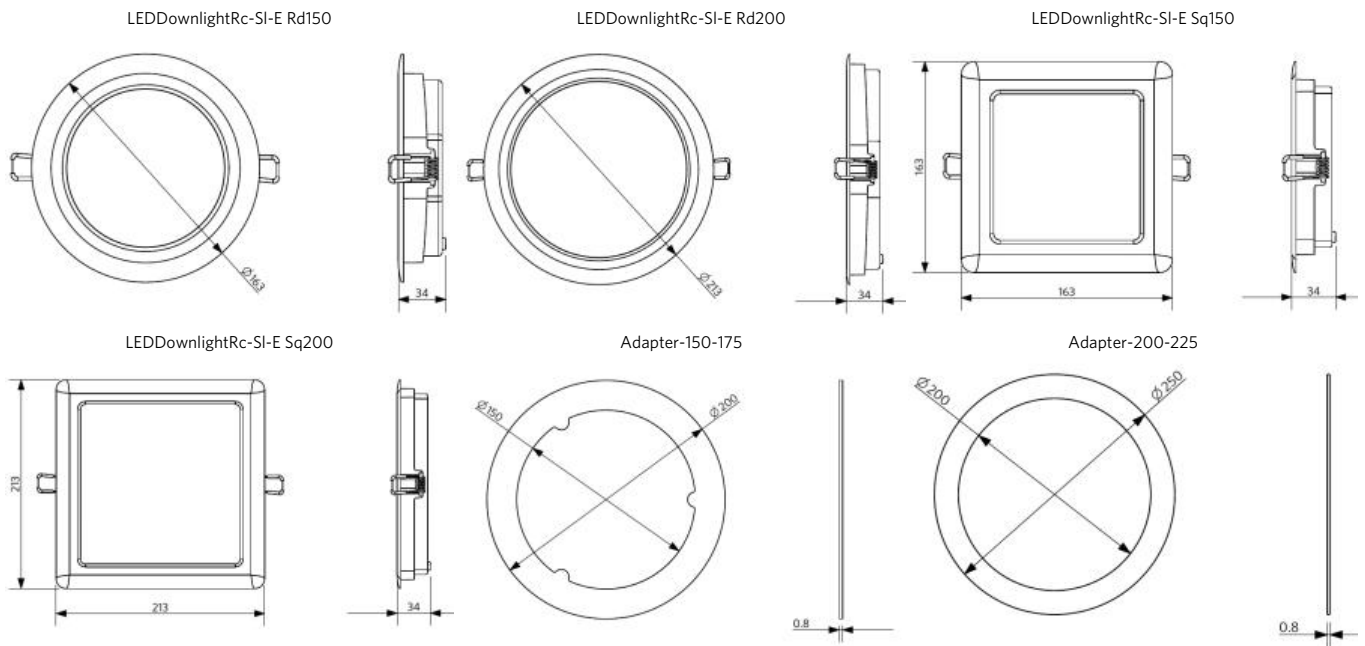
Electrical Supply	
Frequency	50/60 Hz
Nominal voltage	220-240 V
Voltage type	AC

Mechanical Properties	
Material housing	Plastic
Optical material	Polycarbonate

Ambient Conditions	
Operating temperature	-10 - 40 °C
Application temperature	25 °C
Storage environment	-25 - 50 °C



Dimensional Drawing (mm)



Installation Opening Drawing (mm)

