

## LED Reflector EcoMax GU10

- Full retrofit of existing halogen GU10 lamps
- Dimmable versions available up to 575lm
- Available in 3000K and 4000K
- Light silver coloured
- No UV/IR radiation
- Significantly less heat production than halogen, avoiding discolouration and risk of damaging goods
- Up to 87% lower energy consumption than halogen



## Specifications

Item Code	Item Description	Voltage (V)	Equivalent to (W)	Power (W)	Lumen	Efficacy (lm/W)	CCT (K)	Weight (kg/pc)	Energy Level
140060948	LED-E-GU10-3,5W-3000K-36D-DIM	220-240	Halogen 35W	3.5	245	70	3000	0.03	A+
140060952	LED-E-GU10-3,5W-4000K-36D-DIM	220-240	Halogen 35W	3.5	260	74	4000	0.03	A+
140060949	LED-E-GU10-5,2W-3000K-36D-DIM	220-240	Halogen 50W	5.2	350	67	3000	0.04	A+
140060953	LED-E-GU10-5,2W-4000K-36D-DIM	220-240	Halogen 50W	5.2	360	69	4000	0.04	A+
140060951	LED-E-GU10-7,5W-3000K-36D-DIM	220-240	Halogen 75W	7.5	565	75	3000	0.06	A+
140060955	LED-E-GU10-7,5W-4000K-36D-DIM	220-240	Halogen 75W	7.5	575	77	4000	0.06	A+

### Technical Specifications

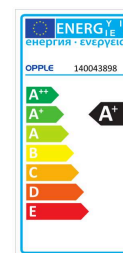
On-/Off-cycles	50,000
Dimmable	Yes
Beam angle	36 °
Finishing	Silver
Colour rendering index CRI	≥ 80

### Electrical Supply

Frequency	50/60 Hz
Voltage type	AC

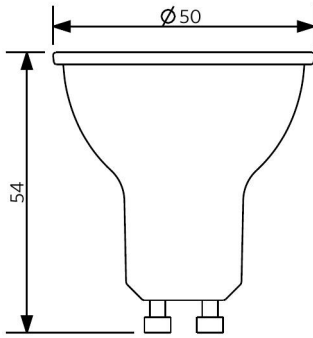
### Ambient Conditions

Operating temperature	-20 - 40 °C
Application temperature	25 °C
Storage environment	-25 - 50 °C

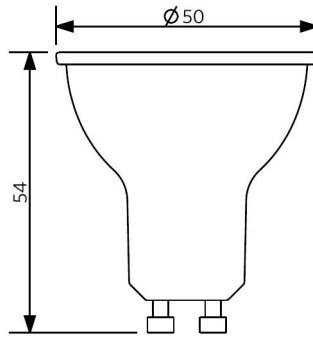


# Dimensional Drawing (mm)

LED-E-GU10-3,5W



LED-E-GU10-5,2W



LED-E-GU10-7,5W

