



**LED Slim Panel Performer UGR19**

- NEW: CRI90 (R9>50) versions available in rectangular size (Re295)
- High quality LED Slim Panel, suitable for offices (UGR19)
- Recessed, suspended and surface mounting possible
- Up to 60% lower energy consumption vs TL



**Specifications**

Item Code	Item Description	Equivalent to (W)	Power (W)	Lumen	Efficacy (lm/W)	CCT (K)	Colour rendering index CRI	Weight (kg/pc)
542004012900	LEDPanelRc-S4 Sq595-30W-4000-WH-U19	TL 4x18W	30	3500	115	4000	≥ 80	3.05

Available on request with 3- or 5- or 3+2 pole Wieland GST18i of Wago WINSTA connector. DALI2 versions are compatible with central emergency lighting according to EN 50172. BLE versions are not compatible with surface module accessories. DALI2 driver compatible with 230V push dimming.

**Accessories**



140055484  
LEDPanelRc-SI Sq600-Surface-Module-WH-CT



542098017600  
LEDPanelRc2 Sq600-Surface-Kit-WH



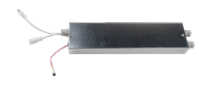
542098009600  
LEDPanelRc Sq600-Frame-WH



140057770  
LEDPanelRc-SI-Mounting-Springs-595



542098006900  
LEDPanel-S4-Suspension-Kit



542098000800  
LEDPanelRC-SI U19 EM-kit 1h  
542098000900  
LEDPanelRC-SI U19 EM-kit 3h



542098030700  
Junction-Box-WH

**Packaging Information**

Item Code	Item Description	Item	Box			
			Dimensions (mm) (LxWxH)	Gross Weight (kg)	EAN	pc/box
140055484	LEDPanelRc-SI Sq600-Surface-Module-WH-CT		690x690x118	3.53	6956321879808	1
140057770	LEDPanelRc-SI-Mounting-Springs-595		80x80x53	0.50	6956321888121	1
542004012900	LEDPanelRc-S4 Sq595-30W-4000-WH-U19		661x46x695	3.89	6941497700612	1
542098006900	LEDPanel-S4-Suspension-Kit		130x130x30	0.20	6941497701428	1
542098009600	LEDPanelRc Sq600-Frame-WH		688x88x694	1.27	6941497704061	1
542098017600	LEDPanelRc2 Sq600-Surface-Kit-WH		800x330x230	1.53	6941497720696	1
542098030700	Junction-Box-WH		43x103.4x26	0.07	6941408868684	1

## Technical Specifications

Lifetime (L70)	70,000 h
Lifetime (L80)	50,000 h
On-/Off-cycles	100,000
Colour consistency (SDCM)	3
Dimmability	On-Off
Beam angle	85 °
Finishing	White RAL9003
UGR	19
Degree of protection (IP)	IP20
Impact strength	IK02
Protection class	II
Risk group (EN 62471)	RG0
With control gear	Yes
Glow wire test	650 °C
Driver failure rate (at 5,000 hrs)	1 %
Power factor	≥ 0.9

## Electrical Supply

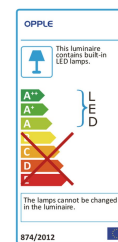
Frequency	50/60 Hz
Nominal voltage	220-240 V AC
DC input voltage	See Appendix 3

## Mechanical Properties

Material housing	Aluminium
Optical material	PMMA
Cover material	Polystyrene

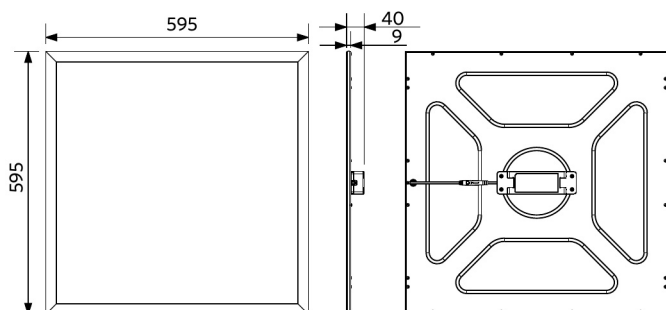
## Ambient Conditions

Operating temperature	-25 ~ 40 °C
Application temperature	25 °C
Storage environment	-25 ~ 50 °C

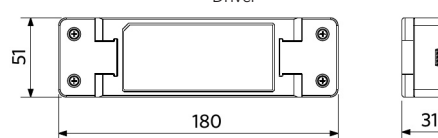


## Dimensional Drawing (mm)

LEDPanelRc-S4 Sq595



LEDPanelRc-S Driver



## Photometric Data

542004012900%20-%20LEDPanelRc-S4-Sq595-30W-4000-WH-U19%20-%20POLAR%20DIAGRAMS.p...

